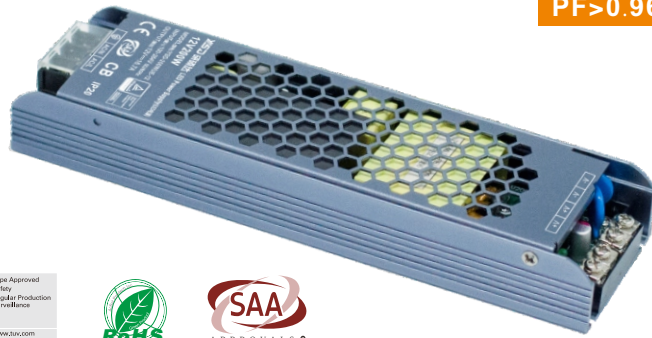


LED ultra-thin high PFC power supply (C&V)

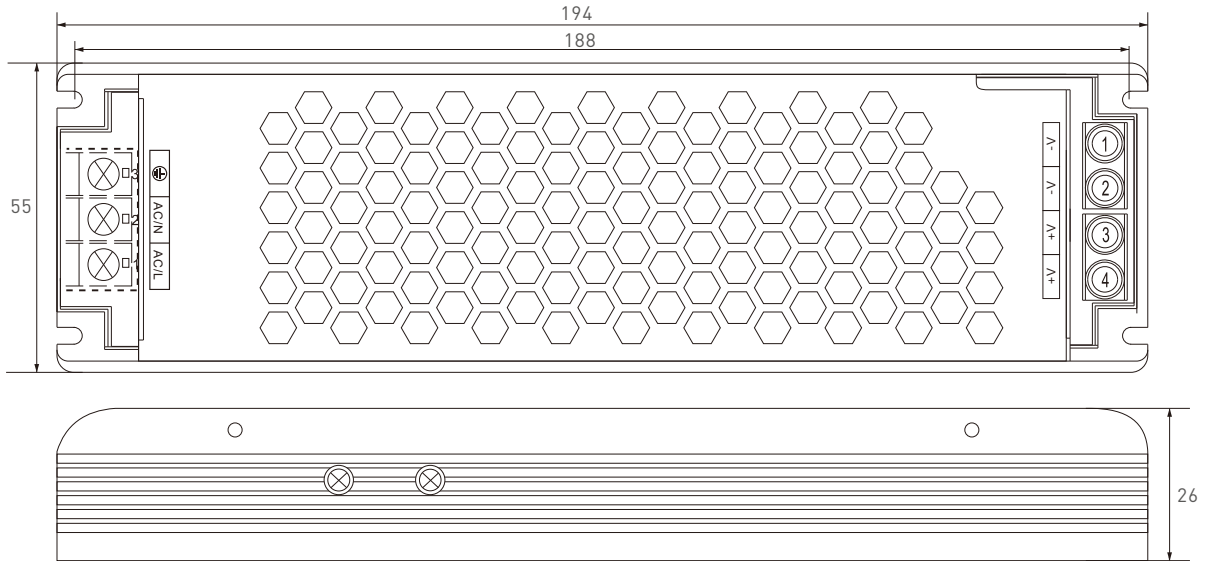
- Universal AC input/full range(100-264VAC)
- Built in active PFC function
- Efficiency up to 93%, super thin and small size.
- Protections:short circuit/over load/over voltage/over temperature
- Can withstand 300VAC surge input for 5S
- 150% peak load capacity (100ms)
- Fanless design,Cooling by free air, high reliability
- Suitable for internal lights application for I / II / III.
- Widely used in LED lighting and IT equipment
- Compliance to worldwide safety regulation for led lightings.



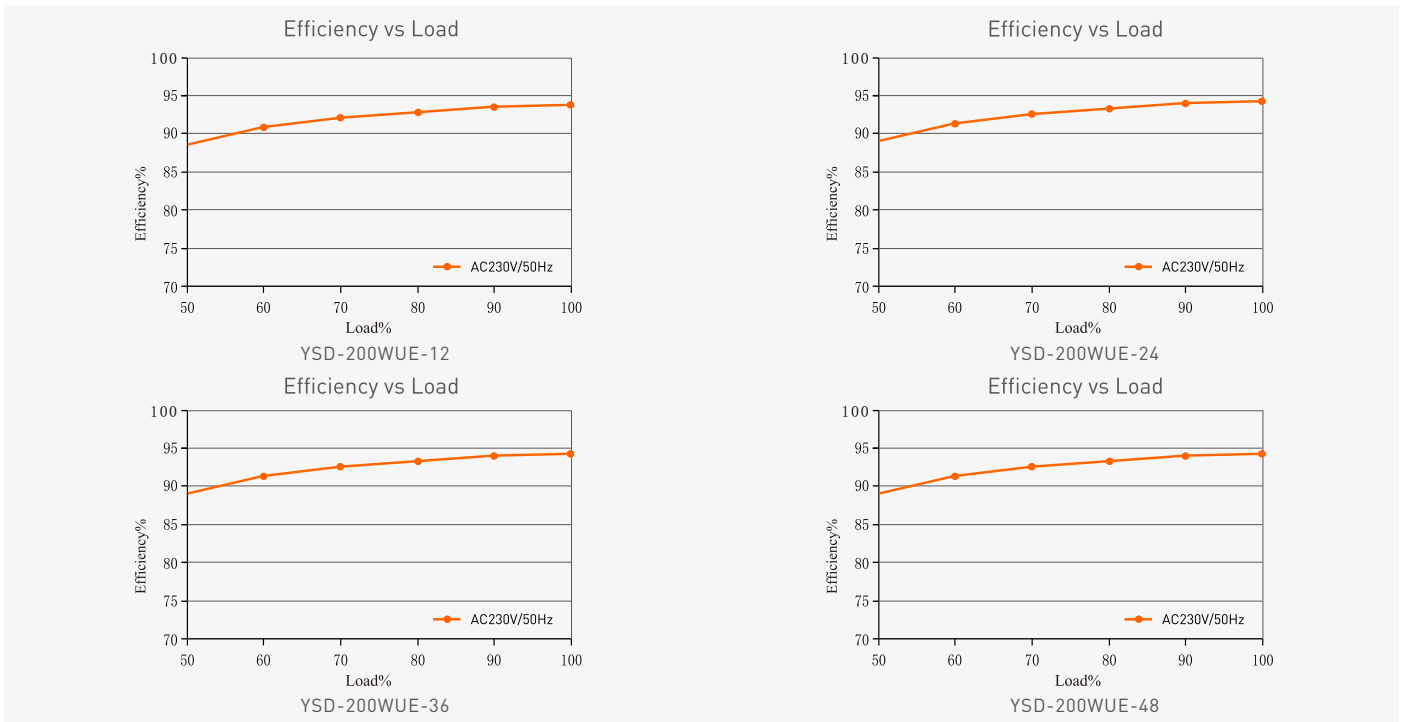
Specification

| Model | YSD-200WUE-12 | YSD-200WUE-24 | YSD-200WUE-36 | YSD-200WUE-48 | |
|-------------------|---|---|---------------|--|--------------|
| OUTPUT | Output voltage | 12VDC | 24VDC | 36VDC | 48VDC |
| | Output voltage range | 12VDC±0.3VDC | 24VDC±0.6VDC | 36VDC±0.9VDC | 48VDC±1.2VDC |
| | Output current | Max 16.7A | Max 8.3A | Max 5.6A | Max 4.2A |
| | Output power | Max 200W | | | |
| | Output power range | 0~200W | | | |
| | Ripple & Noise | ≤240mV | ≤240mV | ≤360mV | ≤360mV |
| | Linear Regulation | ±0.5% | | | |
| | Load Regulation | ±0.5% | | | |
| | Start-up Time (Typ) | 320ms/230VAC | 500ms/115VAC | | |
| | Rise Time(Typ) | 11ms/230VAC | 11ms/115VAC | | |
| Hold Up Time(Typ) | 10ms/230VAC | 10ms/115VAC | | | |
| INPUT | Input voltage | 100-264Vac | | | |
| | Frequency | 50/60Hz | | | |
| | Input current | 2.2~0.83A | | | |
| | Power factor | PF>0.96/230Vac, at full load PF>0.98/115Vac, at full load | | | |
| | No-load power consumption | < 0.5W | | | |
| | THD | ≤8% at 230Vac,at full load | | | |
| | Efficiency (typ.) | 93% | 93.5% | 93.8% | 94% |
| | Inrush current(typ.) | Cold start:60A/230V | | | |
| | Control surge capability | L,N-PE:4KV | | | |
| | Leakage current | Max. 0.5mA | | | |
| ENVIRONMENT | Working temperature | ta: -30°C ~ 50°C tc: 80°C | | | |
| | Working humidity | 20 ~ 99%RH, NON-condensing | | | |
| | Storage temp., humidity | -40°C ~ 80°C, 10~95%RH | | | |
| | Vibration | 10~500Hz, 2G 12min./1cycle, period for 72min. each along X, Y, Z axes. | | | |
| PROTECTION | Overtemperature | Protection type: Turn off the output voltage, after the temperature drops, re-energize to restore. | | | |
| | Over voltage protection | Output voltage ≥42-50V, turn off the output, after the abnormality is eliminated, re-energize to recover. | | Output voltage ≥56-66V, turn off the output, after the abnormality is eliminated, re-energize to recover | |
| | Over load protection | Shut down the output when current load ≥110%~150%, auto recovers. | | | |
| | Short circuit protection | Protection type: It can be automatically restored after the fault is eliminated. | | | |
| SAFETY & EMC | Withstand voltage | I/P-O/P: 3750Vac | | | |
| | Isolation resistance | I/P-O/P: 100MΩ/500VDC/25°C/70%RH | | | |
| | Safety standards | IEC/EN61347; IEC/EN60950; IP20 | | | |
| | EMC emission | EN55015:2013; EN61547:2009; EN61000-3-2:2014; EN61000-3-3:2013 | | | |
| | EMC immunity | EN61000-4-2,3,4,5,6,8,11 EN61547 | | | |
| NOTE | 1. All parameters not specifically mentioned are measured at 230VAC input, rated load and 25° C ambient temperature. 2. Use 12 twisted-pair wires terminated with 0.1uF and 47uF parallel capacitors to measure ripple and noise under a 20MHz bandwidth. 3. Tolerance: including setting tolerance, wire gauge and wire gauge. 4. Ensure that the power supply is used under the rated parameters and environment | | | | |

Dimensions
Unit:mm



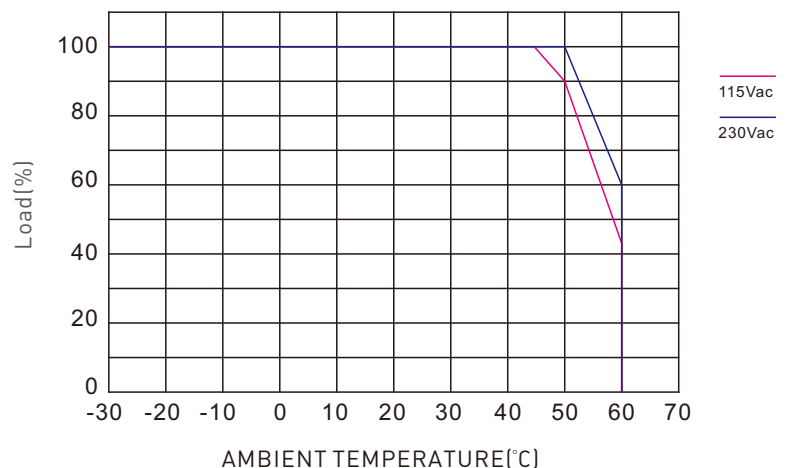
Relationship diagrams



Packaging Information

| | |
|-----------------|----------------------|
| DIMENSION | 194x55x26mm(LxWxH) |
| PACKING | 198.5x57x30mm(LxWxH) |
| CARTON QUANTITY | |
| CARTON SIZE | |
| WEIGHT | 530g±10g/PCS |

Temperature load curve



- 国际通用范围输入(100-264VAC)
- 具有主动式PFC功能
- 效率高达93%,超薄超小尺寸,安装空间小
- 多重保护电路:短路、过电流、过电压、过温度
- 可承受300VAC浪涌输入5S
- 150%峰值负载能力(100ms)
- 无风扇设计,自然风冷
- 适合室内 I / II / III 类灯具使用,
- 广泛应用于LED照明类设备、IT类设备等
- 符合世界照明设备安全规范



CE CB SELV IP20

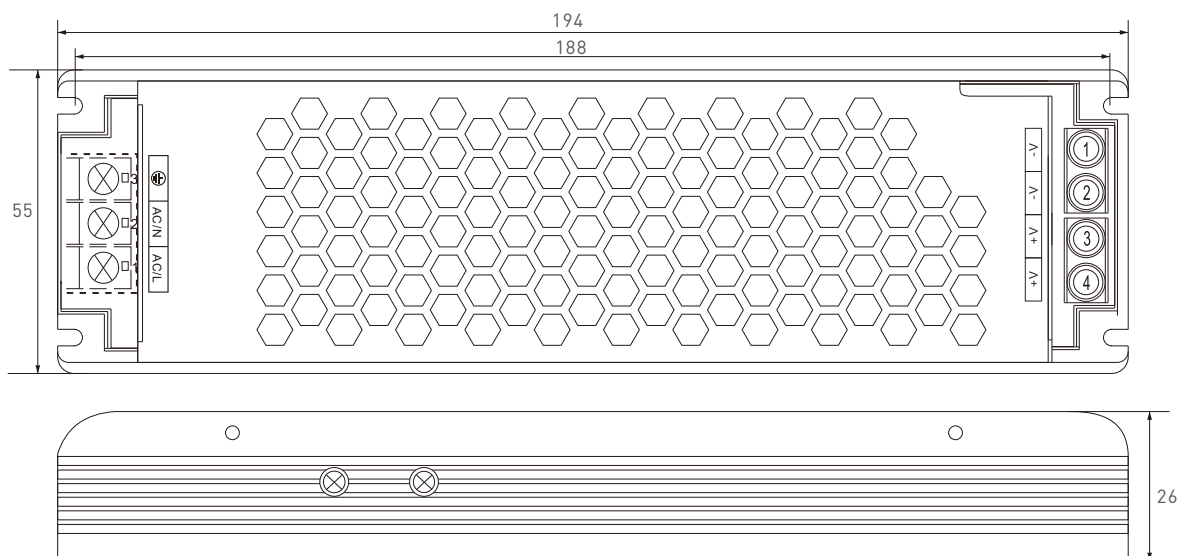


技术参数

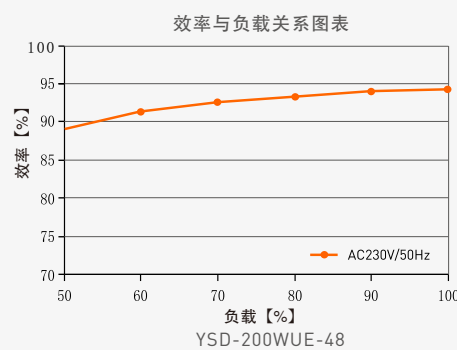
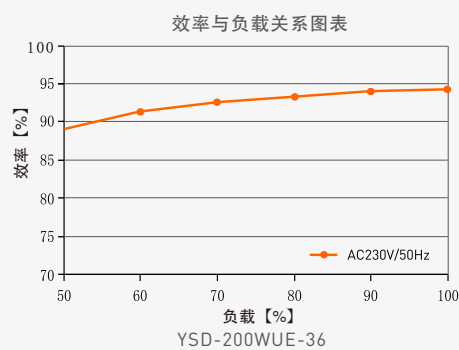
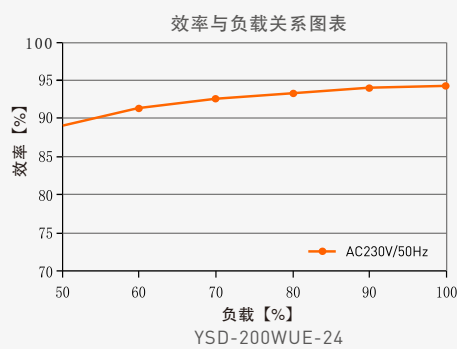
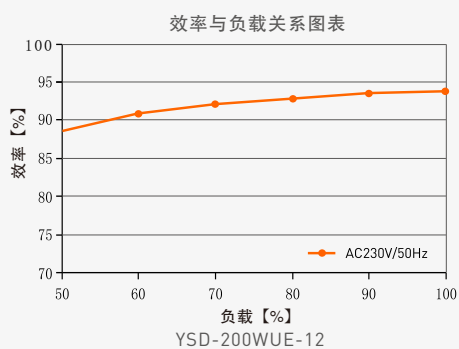
| 型号 | YSD-200WUE-12 | YSD-200WUE-24 | YSD-200WUE-36 | YSD-200WUE-48 | |
|---------|--|--|---------------|-----------------------------------|--------------|
| 输出 | 输出电压 | 12VDC | 24VDC | 36VDC | 48VDC |
| | 输出电压范围 | 12VDC±0.3VDC | 24VDC±0.6VDC | 36VDC±0.9VDC | 48VDC±1.2VDC |
| | 输出电流 | Max 16.7A | Max 8.3A | Max 5.6A | Max 4.2A |
| | 输出功率 | Max 200W | | | |
| | 输出功率范围 | 0~200W | | | |
| | 纹波和噪音 | ≤240mV | ≤240mV | ≤360mV | ≤360mV |
| | 线性调整率 | ±0.5% | | | |
| | 负载调整率 | ±0.5% | | | |
| | 启动时间 | 320ms/230VAC 500ms/115VAC | | | |
| | 上升时间 | 11ms/230VAC 11ms/115VAC | | | |
| 保持时间 | 10ms/230VAC 10ms/115VAC | | | | |
| 输入 | 输入电压 | 100-264Vac | | | |
| | 频率范围 | 50/60Hz | | | |
| | 输入电流 | 2.2~0.83A | | | |
| | 功率因素 | PF>0.96/230Vac, 满载 PF>0.98/115Vac, 满载 | | | |
| | 空载功耗 | <0.5W | | | |
| | 谐波THD | ≤8% at 230Vac, 满载 | | | |
| | 效率(typ.) | 93% | 93.5% | 93.8% | 94% |
| | 浪涌电流(typ.) | 冷启动:60A/230V | | | |
| | 抗浪涌 | L,N-PE:4KV | | | |
| | 漏电流 | Max. 0.5mA | | | |
| 环境 | 工作温度 | ta: -30°C ~ 50°C tc: 80°C | | | |
| | 工作湿度 | 20 ~ 99%RH, 无冷凝 | | | |
| | 储存温度 湿度 | -40°C ~ 80°C, 10~95%RH | | | |
| | 耐振动 | 10~500Hz, 2G 12分钟/周期, X, Y, Z轴各72分钟. | | | |
| 保护 | 过温保护 | 保护类型:关闭输出电压, 温度下降后, 重新通电恢复. | | | |
| | 过压保护 | 输出电压 ≥42-50V, 关闭输出, 异常排除后, 重新通电恢复. | | 输出电压 ≥56-66V, 关闭输出, 异常排除后, 重新通电恢复 | |
| | 过载保护 | 负载电流 ≥110%~150%, 关闭输出, 可自动恢复 | | | |
| | 短路保护 | 保护类型:故障消除后可自动恢复. | | | |
| 安规和电磁规格 | 耐压 | 输入对输出:3750Vac | | | |
| | 绝缘阻抗 | 输入对输出:100MΩ/500VDC/25°C/70%RH | | | |
| | 安全规范 | IEC/EN61347; IEC/EN60950; IP20 | | | |
| | 电磁兼容发射 | EN55015:2013; EN61547:2009; EN61000-3-2:2014; EN61000-3-3:2013 | | | |
| 电磁兼容抗扰度 | EN61000-4-2,3,4,5,6,8,11 EN61547 | | | | |
| 备注 | 1. 所有未特别提及的参数均在230VAC输入, 额定负载和25°C环境温度下测量。 2. 使用端接0.1uF和47uF并联电容器的12条双绞线在20MHz带宽下测量纹波和噪声。 3. 公差: 包括设置公差, 线规和线规。 4. 保证电源在额定的参数和环境下使用 | | | | |

尺寸图

单位:mm



关系图表



包装信息

| | |
|------|----------------------|
| 产品尺寸 | 194x55x26mm(LxWxH) |
| 包装尺寸 | 198.5x57x30mm(LxWxH) |
| 装箱数量 | |
| 外箱尺寸 | |
| 产品重量 | 530g±10g/PCS |

温度负载曲线

