

LED Ultra-Thin Power Supply(C&V)

- Universal AC input/full range(175-277VAC)
- Built in active PFC function
- Efficiency up to 93%, super thin and small size.
- Protections:short circuit/over load/over voltage/over temperature
- IP67 design for indoor or outdoor installation
- It can be used in dry, wet and rainy environment
- Cooling by free air, high reliability
- Up to 50000-hour life time
- Suitable for internal lights application for I / II / III.
- Widely used in LED lighting and IT equipment
- Compliance to worldwide safety regulation for led lightings.



175-277VAC

PF>0.96

THD≤5%



CE

CB

SELV

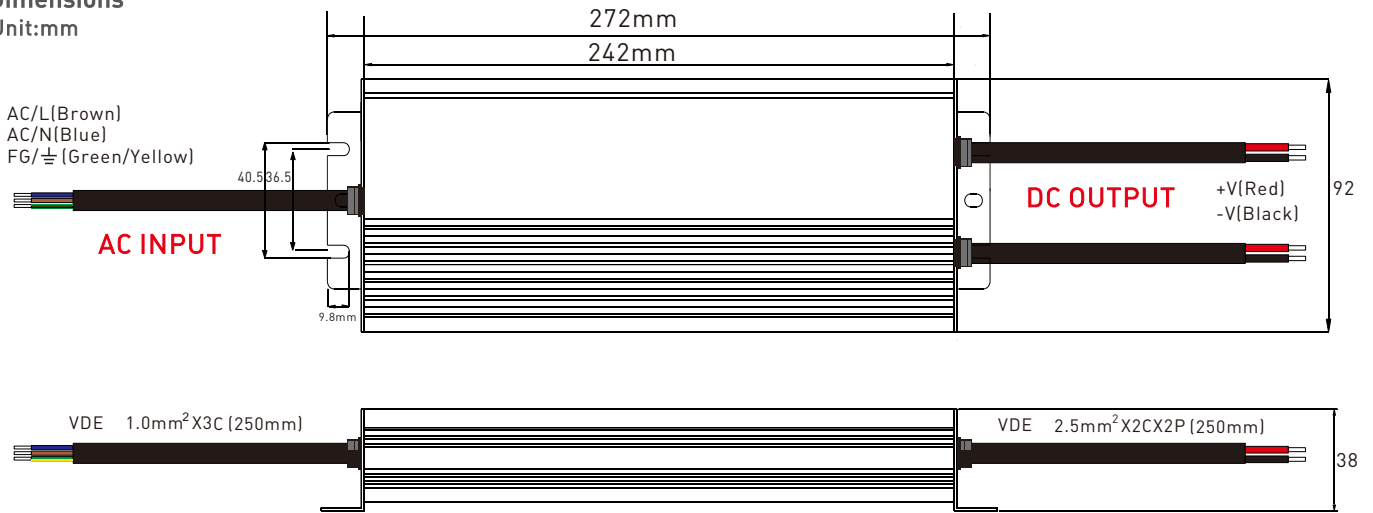
IP67



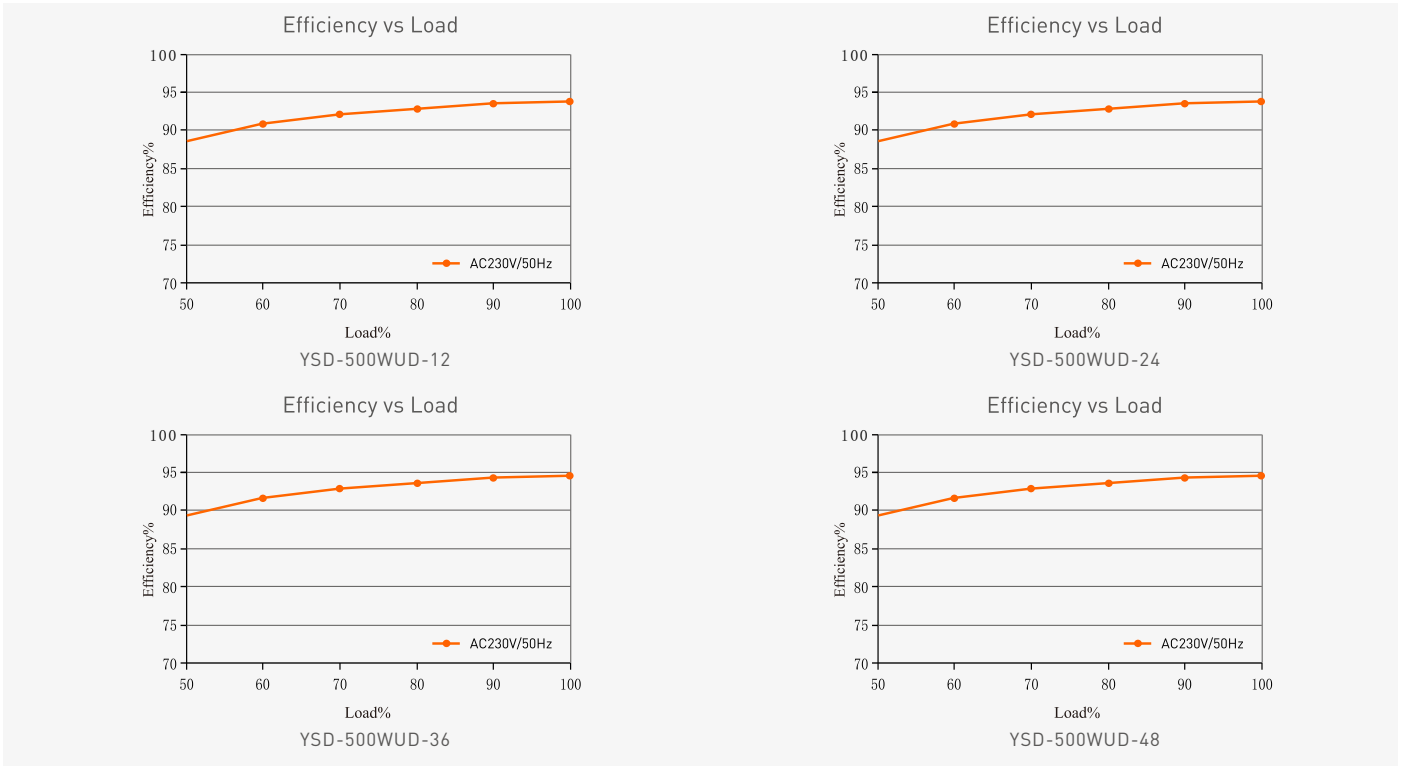
Specification

Model	YSD-500WUD-12	YSD-500WUD-24	YSD-500WUD-36	YSD-500WUD-48	
OUTPUT	Output voltage	12VDC	24VDC	36VDC	48VDC
	Output voltage range	12VDC±0.3VDC	24VDC±0.6VDC	36VDC±0.9VDC	48VDC±1.2VDC
	Output current	Max 41.7A	Max 21A	Max 14A	Max 10.5A
	Output power	Max 500W			
	Output power range	0-500W			
	Ripple & Noise	≤250mV	≤250mV	≤250mV	≤250mV
	Linear Regulation	±1%			
	Load Regulation	±1%			
	Start-up Time (Typ)	600ms/230VAC 700ms/175VAC			
	Rise Time(Typ)	50ms/230VAC 50ms/175VAC			
Hold Up Time(Typ)	14ms/230VAC 13ms/175VAC				
INPUT	Input voltage	175-277Vac			
	Frequency	50Hz			
	Input current	2.28~1.53A			
	Power factor	PF>0.96/230Vac, at full load; PF>0.98/175Vac, at full load;			
	No-load power consumption	< 0.5W			
	THD	≤12% at 230Vac, at full load; ≤10% at 175Vac, at full load			
	Efficiency (typ.)	93%	93.5%	94%	94%
	Inrush current(typ.)	65A/230VAC			
	Control surge capability	L,N:2KV L,N-PE:4KV			
	Leakage current	Max. 0.5mA			
ENVIRONMENT	Working temperature	ta: -30°C ~ 50°C tc: 80°C			
	Working humidity	20 ~ 99%RH, condensing(Waterproof)			
	Storage temp., humidity	-40°C ~ 80°C, 10-95%RH			
	Vibration	10-500Hz, 2G 12min./1cycle, period for 72min. each along X, Y, Z axes.			
PROTECTION	Overtemperature	Protection type: Turn off the output voltage, after the temperature drops, re-energize to restore.			
	Over voltage protection	Output voltage ≥14-18V, turn off the output, after the abnormality is eliminated, re-energize to recover.		Output voltage ≥29-35V, turn off the output, after the abnormality is eliminated, re-energize to recover	
	Over load protection	Shut down the output when current load ≥110%~150%, auto recovers.			
	Short circuit protection	Protection type: It can be automatically restored after the fault is eliminated.			
SAFETY & EMC	Withstand voltage	I/P-O/P: 3750Vac			
	Isolation resistance	I/P- O/P: 100MΩ/500VDC/25°C/70%RH			
	Safety standards	IEC/EN61347;IEC/EN60950;IP67			
	EMC emission	EN55015:2013;FCC Part 15B;EN61547:2009;EN61000-3-2:2014;EN61000-3-3:2013			
	EMC immunity	EN61000-4-2,3,4,5,6,8,11 EN61547			
Reliability and Quality Control	Impact aging	100% of the product is fully loaded and impacted for 4 hours under an environment of at least 40°C ± 5°C			
	Component derating	Under the steady-state conditions of rated input and output, the stress of components will not exceed its maximum nominal value			
NOTE	1. All parameters not specifically mentioned are measured at 230VAC input, rated load and 25°C ambient temperature. 2. Ripple and noise test method: connect 0.1uF and 47uF capacitors in parallel at the terminal, and measure under 20MHZ bandwidth. 3. Ensure that the power supply is used under the rated parameters and environment				

Dimensions Unit:mm

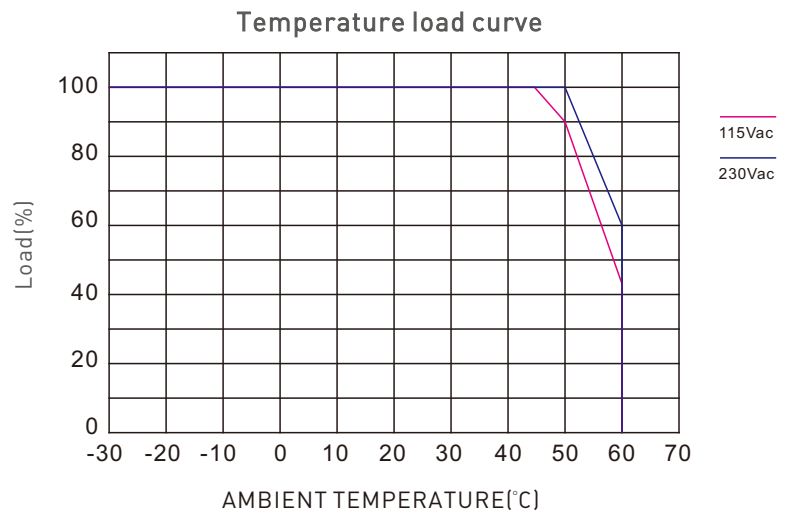


Relationship diagrams



Packaging Information

DIMENSION	272x92x38mm(LxWxH)
PACKING	335x122x52mm(LxWxH)
CARTON QUANTITY	10PCS
CARTON SIZE	565x350x145mm(LxWxH)
WEIGHT	2180g±10g/PCS



LED 超薄防水电源(恒压型)

- 国际通用范围输入(175-277VAC)
- 内置主动式PFC功能, 高PF值
- 效率可高达93%, 超薄超小尺寸, 安装空间小
- 多重保护电路: 短路、过电流、过电压、过温度
- IP67防水等级, 室内室外均可安装
- 可用于干燥、潮湿、淋雨等环境下
- 自然风冷
- 高达50000小时的额定寿命.
- 适合室内 I / II / III 类灯具使用,
- 广泛应用于LED照明类设备、IT类设备等
- 符合世界照明设备安全规范



175-277VAC

PF>0.96

THD≤10%



CE

CB

SELV

IP67

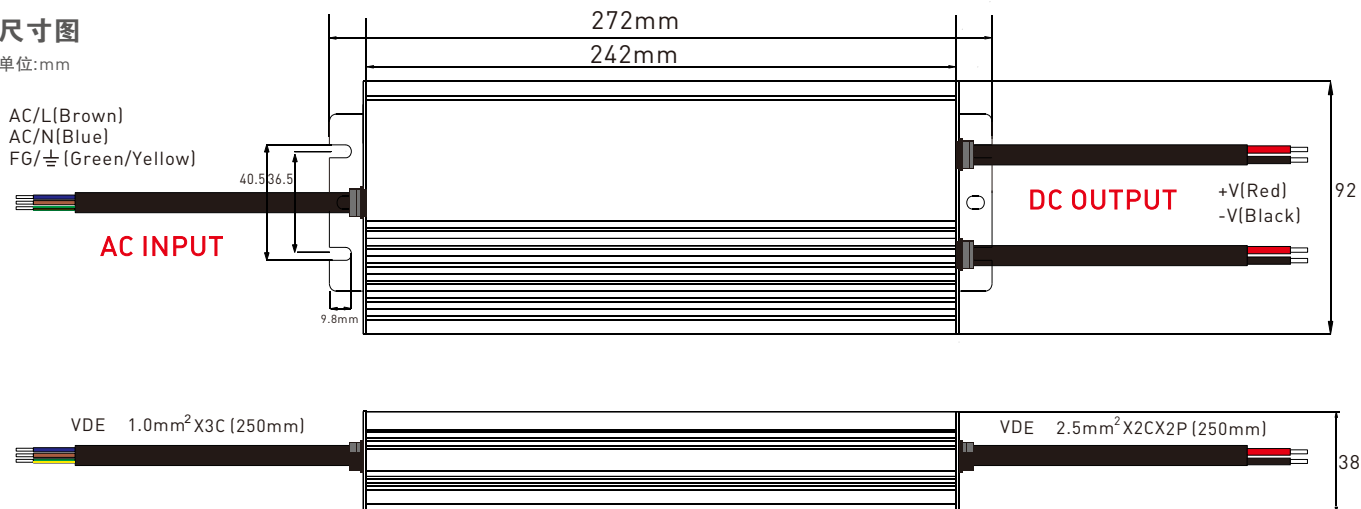


技术参数

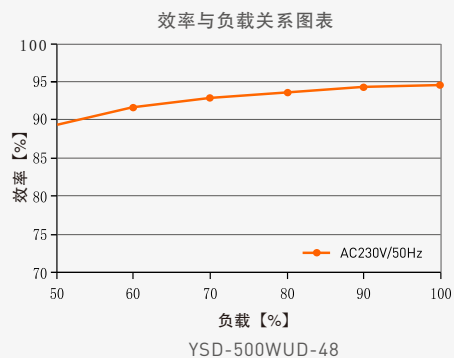
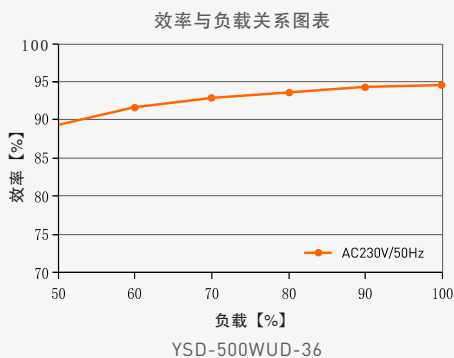
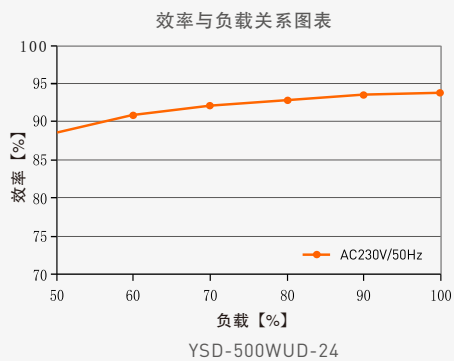
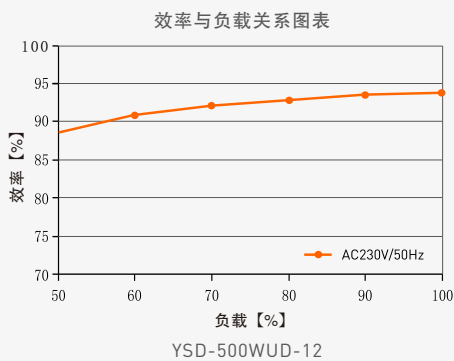
型号	YSD-500WUD-12	YSD-500WUD-24	YSD-500WUD-36	YSD-500WUD-48	
输出	输出电压	12VDC	24VDC	36VDC	48VDC
	输出电压范围	12VDC±0.3VDC	24VDC±0.6VDC	36VDC±0.9VDC	48VDC±1.2VDC
	输出电流	Max 41.7A	Max 21A	Max 14A	Max 10.5A
	输出功率	Max 500W			
	输出功率范围	0~500W			
	纹波和噪音	≤250mV	≤250mV	≤250mV	≤250mV
	线性调整率	±1%			
	负载调整率	±1%			
	启动时间	600ms/230VAC 700ms/175VAC			
	上升时间	50ms/230VAC 50ms/175VAC			
保持时间	14ms/230VAC 13ms/175VAC				
输入	输入电压	175-277Vac			
	频率范围	50Hz			
	输入电流	2.28~1.53A			
	功率因素	PF>0.96/230Vac, 满载; PF>0.98/175Vac, 满载			
	空载功耗	< 0.5W			
	谐波THD	≤12% at 230Vac, 满载; ≤10% at 175Vac, 满载			
	效率(typ.)	93.5%	93.5%	94%	94%
	浪涌电流(typ.)	65A/230VAC			
	抗浪涌	L,N:2KV L,N-PE:4KV			
漏电流	Max. 0.5mA				
环境	工作温度	ta: -30°C ~ 50°C tc: 80°C			
	工作湿度	20 ~ 99%RH, 冷凝 (防水)			
	储存温度 湿度	-40°C ~ 80°C, 10~95%RH			
	耐震动	10~500Hz, 2G 12分钟/周期, X, Y, Z轴各72分钟.			
保护	过温保护	保护类型:关闭输出电压, 温度下降后, 重新通电恢复.			
	过压保护	输出电压 ≥14-18V, 关闭输出, 异常排除后, 重新通电恢复.		输出电压 ≥29-35V, 关闭输出, 异常排除后, 重新通电恢复.	
	过载保护	负载电流 ≥110%~150%, 关闭输出, 可自动恢复.			
	短路保护	保护类型:故障消除后可自动恢复.			
安规和电磁规格	耐压	输入对输出:3750Vac			
	绝缘阻抗	输入对输出:100MΩ/500VDC/25°C/70%RH			
	安全规范	IEC/EN61347;IEC/EN60950;IP67			
	电磁兼容发射	EN55015:2013;FCC Part 15B;EN61547:2009;EN61000-3-2:2014;EN61000-3-3:2013			
	电磁兼容抗扰度	EN61000-4-2,3,4,5,6,8,11 EN61547			
可靠性与质量控制	冲击式老化	产品100%在至少40°C ±5°C的环境下满载冲击式老化4小时.			
	元器件降额	在额定输入输出稳态条件下, 元器件的应力不会超过其最大标称值.			
备注	1. 所有未特别提及的参数均在230VAC输入, 额定负载和25°C环境温度下测量. 2. 纹波和噪声测试方法: 在终端并联0.1uF和47uF的电容, 并在20MHZ带宽下进行测量. 3. 保证电源在额定的参数和环境下使用.				

尺寸图

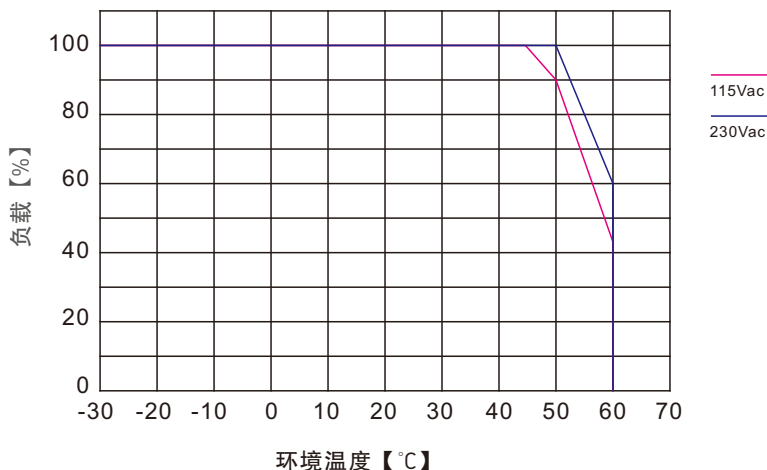
单位:mm



关系图表



温度负载曲线



包装信息

产品尺寸	272x92x38mm(LxWxH)
包装尺寸	335x122x52mm(LxWxH)
装箱数量	10PCS
外箱尺寸	565x350x145mm(LxWxH)
产品重量	2180g±10g/PCS